

Thermometer

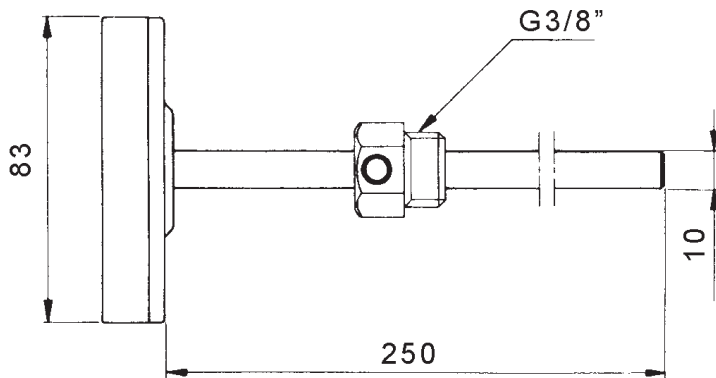
HVAC-system

flue-gas thermometer

E 10.17.01

Ed.12.01

Design	Flue gas thermometer with back entry stem and adjustable locking ring.
Type	5021
Case dim	Dim 83 mm
Case	Aluminium
Temp.element	Bimetal
Working range	Maximum scale value
Location of stem	Back entry stem
Connection	Adjustable locking ring G3/8"
Length	L = 250x10 mm of steel
Temperature range	+50+360° C or +50+500° C



Type	Dim	Range	L	Code
5021	83	+50+360°C	250	05081519
	83	+50+500°C	250	05082019